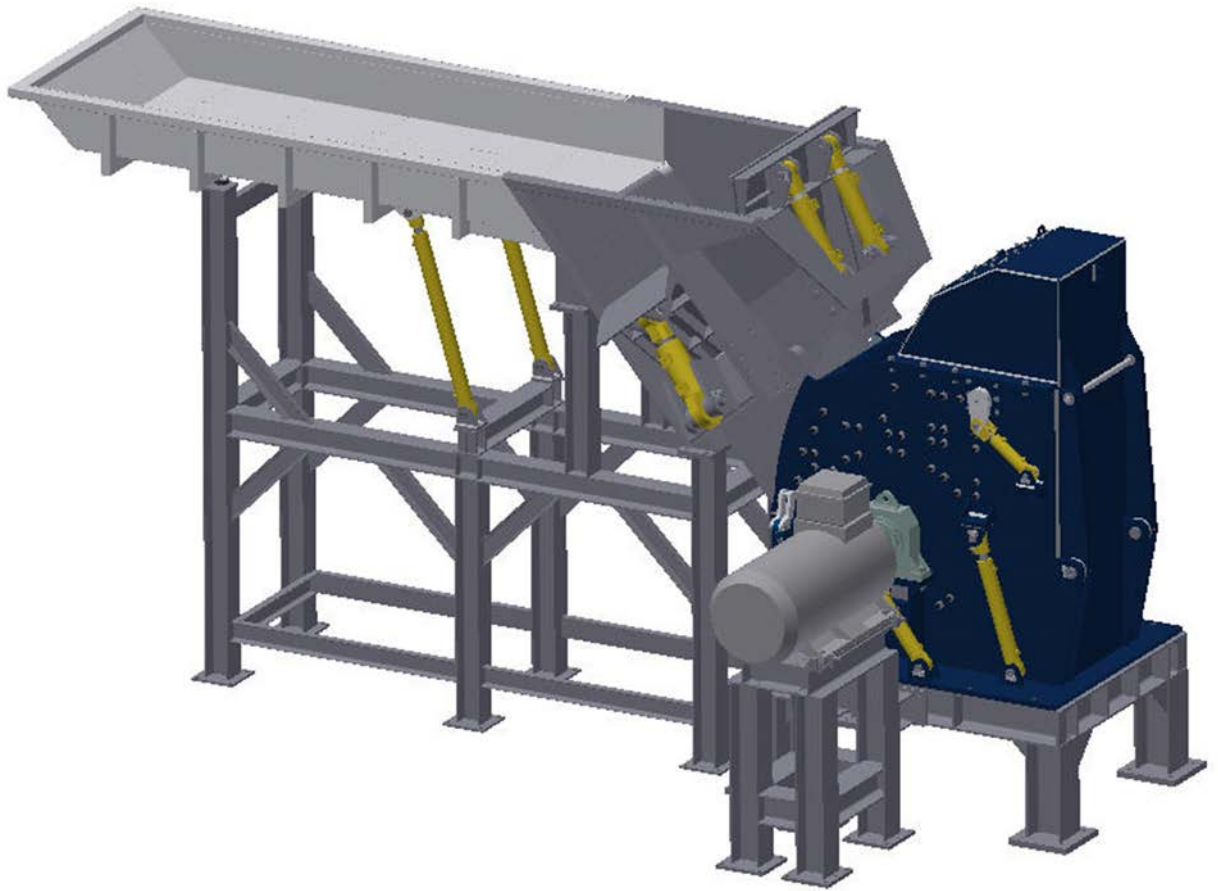


SICON Slimtec

The ideal entry-level shredder



Your benefits at a glance

- The machine has a bottom and a top discharge and the density can easily be adjusted by the segmented bottom grate made of steel alloy cast iron (highest quality in the market for a long lifetime)
- Up to 845 hp drive
- Fully automated operation
- No special building necessary
- Compact design with unique FE-Downstream (MagSpin)



www.sicon-america.com



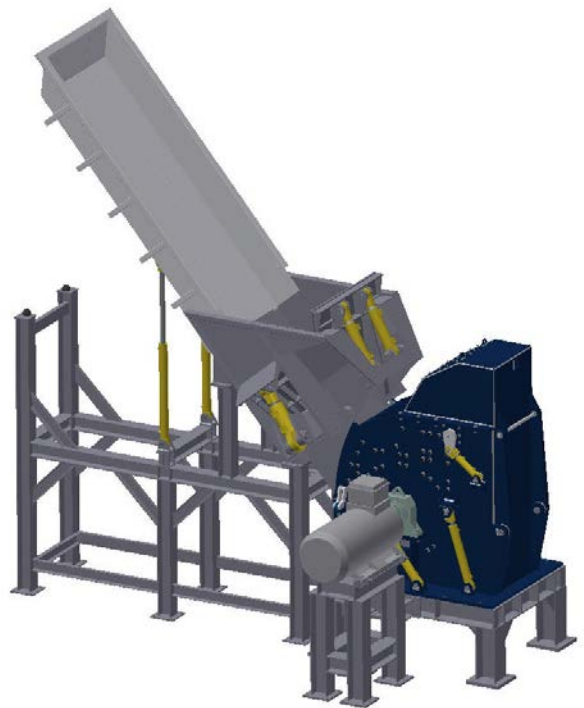


SICON Slimtec

The density of final product depends on the grate openings and can vary. Possible set-ups are:

- With only one overhead grate
- With only one underlying grate
- With top and bottom grating
- Inlet chute with pressing devices for continuous feeding

Slimtec	
Shredder weight	40 tons (88 000 lbs)
Working width	40"
Beating Diameter	58"
Width of inlet chute	70"
Motor	Up to 845 hp



Contact us for more information about our products

You can contact us by phone at 678-527-1433 or by email info@sicon-america.com



SICON Deutschland
Vordere Insbach 26
57271 Hilchenbach, Germany
Phone: +49 (2733) 811 76-0
info@sicon.eu
sicon.eu

SICON America
11390 Old Roswell Road, Suite 126
Alpharetta, GA 30009, USA
Phone: +1 (678) 527 1433
info@sicon-america.com
sicon-america.com

